

# The Orchid Enthusiast

The Newsletter of the Central New York Orchid Society

Affiliated with the American Orchid Society and Orchid Digest

Page 1 Volume 10: Issue 5 May 2008

## Editor's Note:

Contributions to the Orchid Enthusiast by members of the CNYOS are welcome. Articles, pictures, or ideas for discussion subjects should be submitted by the first or second week of the month before the next meeting to:

[egalson@twcny.rr.com](mailto:egalson@twcny.rr.com)

## In This Issue

	page
Next Meeting	1
STOS Show	1
President's Message & April Minutes	2
Events Calendar	2, 4
GROS Results	3, 4
Treasurer's Report	4
Volunteers	4
A Portable Photographic Aid	5

## Request from Iris:

Some of you may have Paph. Vanda M. Pearman 'Aspenwood,' which I have shared with the club several times. Mine has an infection & I am going to lose it. If anyone has a division to spare, please contact me.

## Next Meeting: Sunday May 4, 2008 – It's our fabulous orchid auction

We will meet in the Parish hall at St Augustine's Church, which is directly across the parking lot from our regular meeting place.

The meeting is at 2 PM, but Kim suggests that everyone come early – between 1:00 and 1:30, so that everything can be organized to start on time. The hall is booked for another meeting at 6, so we must make a timely exit.

This year the auction will be open to the public at a \$5.00 admission charge.

The charge will be waived for any guests who sign up to become CNYOS members at the meeting. Admission for members will be \$5.00 or an orchid, 100% of whose proceeds are donated to the club. Members can donate more than one plant, with other proceeds split 50/50 if desired. Please call or e-mail Kim (315) 445-7587, [ortizkim@msn.com](mailto:ortizkim@msn.com), some days before the meeting with the names of the plants you are donating. There will be no show table or beginners session at this meeting.

Our guest auctioneer will be Jeff Snyder from the Rochester area.

**Bring your friends; bring your plants; bring your wallet; come early**

## Southern Tier Orchid Society(STOS) Orchid Show

This event is taking place April 25-27 at the Oakdale Mall just off Route 17 in Johnson City. Take exit 70N just west of the Rt 81 & Rt 17 intersection at Binghamton. CNYOS is setting up a display, and **we need your plants**.

Your help in set-up would also be appreciated. Call John Bradley if you are available.

Plants must be registered with Iris 462-9226 or [iriscohen@aol.com](mailto:iriscohen@aol.com) and must be clearly marked with the plant name and your name. Specify whether plants were grown in a greenhouse, and the color of Cattleyas and Phals.

Art work may also be submitted for this show.

Plants may be dropped off April 19 & 20 at the following locations, but call first:

Janet Woodworth 728 Chestnut Ridge Rd. Kirkville, 315 687-7207

Barbara Weller 207 Weathervane Lane, Syr. 315 468-5039

John Bradley 119 Grove St. No Syr. 315 458-8372

Gary Stensland 7822 Keeney Rd. Truxton 606 842-6534

Set-up starts at 2 PM on April 24. There will be a special event of a harp concert by Meredith Kohn Bobcec at 2 PM on April 26, and a raffle at 4 PM on April 27, for which tickets can be bought any time the show is open.

The show closes at 5 PM April 27. Charles Ufford, Donna Coleman, Gary Stensland and Judi Witkin have agreed to do the breakdown

***President's message combined with the minutes of the short business meeting held on the bench in front of the church in the spring sunshine before the trip to GROS***

Thanks to all of those involved with the GROS Exhibit:

Special thanks to Dolores Capella for willing to be the emergency stand-in for me due to a possible mess up with my work schedule. Things worked out, though.

Thanks to Iris Cohen and her work to register the entries. Everything went off without a hitch. She is still looking for someone to learn to do this. It can be done completely on line.

Thanks to Janet Woodworth who really has an eye for design. You will see the results of her first time effort at the show. She said I must share the blame for any mess-ups.

Thanks also to Charles Ufford who did some final tweaking on the lay-out.

And thanks for the loan of member's plants which made it all possible.

The STOS show is next. ( see details in box on page 1)

Our last meeting of the year will be the picnic will be held on June 8, rather than on our usual meeting date, because the first Sunday in June is part of the Memorial Day weekend. It will be hosted by Rick Braue who will pass out directions to his house at the May 4<sup>th</sup> meeting.

The CNYOS Show Sale is September 22 & 23 at Beaver Lake Nature Center. Because of the short time before our regular September meeting and the show, there was a discussion of having an extra planning meeting in August. Everyone should come prepared to vote on whether we should have such a meeting.

John noted that the club should buy a new supply of sheet moss for our club displays. This expenditure can be proposed and voted on by the membership at the May meeting.

Iris proposed that a life membership be given to Judi Witkin for her extensive club work. John noted that we did not have enough members present for a voting quorum and asked that this motion be tabled until the May meeting.

Submitted by John Bradley, co-chair & Pat Cotter, secretary

***Events Calendar***

Thursday, April 24 Set-up for the STOS show (see box p1)

Friday-Sunday April 25-27 STOS show

Saturday, May 3 African Violet Society of Syracuse Annual Show and Sale, Beaver Lake Nature Center, Baldwinsville  
Sale 10 - 6 pm Show 1 - 6 pm  
Sunday Sale & Show 10 am - 4:30 pm

Sunday, May 4 CNYOS Auction \_ Cme between 1:00 & 1:30 pm

Saturday, May 31 "SPEAKERS' DAY" Sponsored by the Joint Presidents Council

In conjunction with The American Orchid Society

Holiday Inn North - Newark International Airport - Newark, New Jersey call: 516 374 6426

The Joint President's Council of the metropolitan New York Area in conjunction with the American Orchid Society present the 25th "Speakers' Day" featuring talks by leading orchid authorities from all parts of the world. The daylong event will highlight four outstanding speakers; orchid plant and book sale raffle of fine plants; morning refreshments and a complete lunch, all included in the registration price of \$39.00. COME MEET, HEAR AND TALK WITH THESE INTERNATIONALLY RECOGNIZED SPEAKERS

Sunday, June 8 CNYOS picnic at the home of Rick Braue

Events Calendar continued on p 4

## Results of Genesee Region Orchid Society Show and Sale

Those of us who went to Rochester to see the show had an enjoyable time admiring the many beautiful exhibits, spending our money on new plants, and viewing the demonstrations.

Here are some of the statistics of the show:

Vendors – 9 plus a sales table by GROS members  
Total Registrants – 463  
Plants registered – 445

Class awards 219  
Exhibit awards 219  
Special awards 11

CNYOS won a 1<sup>st</sup> place blue ribbon for “The Best Orchid Society Exhibit of More Than 15 Plants”. A special pat on the back is deserved by the set-up crew of John Bradley and Janet Woodcock, with final tweaking by Charles Ufford.

### CNYOS Member Awards

#### Class Place

10	3	Slc. Exotic Mini Treat	Donna Coleman
27	1	Den. Nora Tokunaga	Donna Coleman
31	2	Paph. armeniacum	Charles Ufford
59	3	Paph. liemianum	Iris Cohen
34	2	Paph. Pinocchio	Judi Witkin
36	1	Paph. Saint Swithin	David Ditz

#### Class Place

47	3	Phal. cornu-cervi	Charles Ufford
61	1	Phal. Timothy	Christopher Donna Coleman
61	3	Phal. (Be Tris xBrother Sara Gold)	Iris Cohen
75.5	1	Onc. Twinkle 'Fragrance Fantasy'	Donna Coleman
82	1	Trpla. suavis	Charles Ufford
94	3	Max. variabilis	Donna Coleman

### CNYOS Member Special Awards

Best of Cyripedium Alliance: Paph St Swithin  
Grown by David Ditz

Joan Burnham Award for Best Windowsill Grown Orchid Plant Slc. Jewel Box Grown by Don Davis (below)
---



## ***Results of Genesee Region Orchid Society Show and Sale, con't***

CNYOS Member Kim Boronczyk won a 1<sup>st</sup> place ribbon for her Educational Exhibit submitted by Kim's Interiors Orchid Supplies. In addition, 6 of her orchids won awards:

- 10 2 Lc. Mini Purple Kim's Interiors Orchid Supplies & Sales
- 26 2 Den. Hawaiian Mini stripe x Den. Blue Twinkle Kim's Interiors Orchid Supplies& Sales
- 73.5 Onc. maculatum x Brsdm. Nittany Gold Kim's Interiors Orchid Supplies& Sales
- 74.5 Odtm. Irene 'Manaw' Kim's Interiors Orchid Supplies& Sales
- 80 1 Oncda. Chaculatum 'Golden Pacific' Kim's Interiors Orchid Supplies& Sales

### ***Treasurer's Report***

Total Cash and Bank Accounts	\$ 3408.50
Year to Date Net Inflows Outflows 1/1/08 – 4//08 (Yea, we've taken in more than we spent)	\$ 321.32

Carol Haskell, Treasurer

### ***Events Calendar, con't***

Saturday, July 19 Bus trip to the Brooklyn Botanical Garden sponsored by the Mohawk Valley Bonsai Club. Bus leaves at 6 AM from the Thruway exit 34A park and ride with stops in Utica and Albany, and will return at approximately 11PM.

There will be a stop for lunch on the way. Cost is \$50 non-refundable, and includes admission to the garden. To reserve a seat or for further information contact Art Doramus of Ilion 292-1140 or [doramus@twcny.rr.com](mailto:doramus@twcny.rr.com). Members from out of town who would like a place to stay overnight on Friday and Saturday contact Iris Cohen. No extra charge.

Thursday, August 7 CNYOS meeting to plan for September Show and Sale ??

Saturday and Sunday, September 22 & 23 CNYOS Show and Sale at Beaver Lake Nature Center

### ***Refreshment Volunteers***

May 4	Barbara Wheeler & John Bradley
June 8	Spring picnic everyone brings a dish to pass
July	no meeting
August 7	?? possible meeting to plan September Show and sale
September	Donna Coleman Monica Kot
October	Dave Ditz and ?
November	? and ?
December	no volunteers needed, Christmas party

Volunteers will be needed for the Show & Sale in September

# greatideas

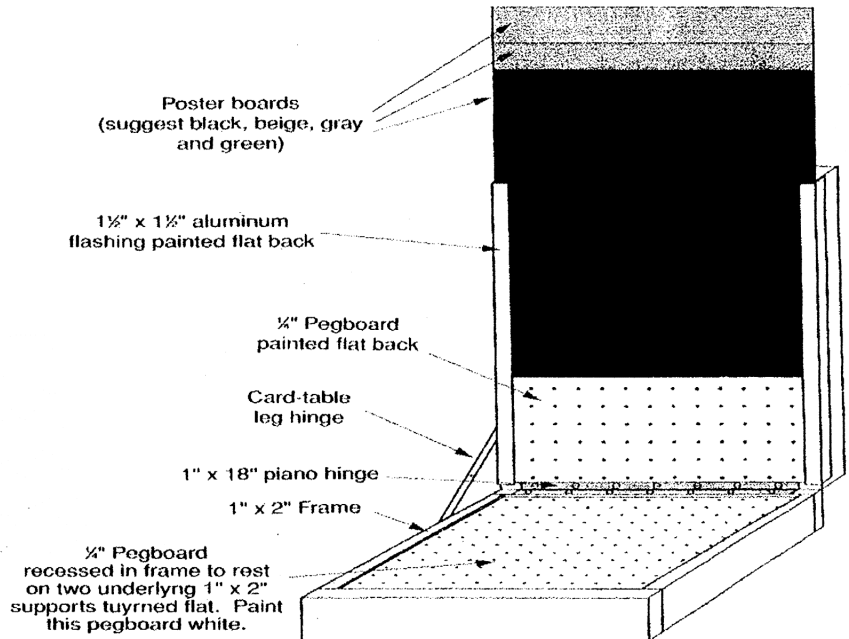
By Ed Wright and Bill Tippit

## A PORTABLE PHOTOGRAPHIC AID

**R**CHID photographs are the blooms that last forever. Few of us, however, are really proficient at recording these valued friends on film. Downs Matthews gave us an idea for good orchid photographs when he discussed his portable studio. That idea is presented here, with some modifications and adaptations.

This photographic aid is simply two pegboard frames hinged together (see figure at right). In use, the frames are unfolded and are locked open by a card-table leg hinge. The basal portion of the aid is painted white to reflect light up onto the flower to enhance details. Openings in the pegboard can be used as tie-points for black fishing line or heavy thread when an anchor is required to position the plant or flower.

The upright back is edged on each side with 1½ x 1½-inch lightweight aluminum flashing. This makes a slot in which background material can be inserted. We use black poster board with a flat finish for a background. None of the measurements are mandatory, so this device can be custom-made. Ours has a 23 x 23-inch base and an upright back that measures 23 inches by 29 inches. It weighs 20 pounds, which is light enough for anyone to transport. Most colored poster boards are too harsh, so we use beige, neutral gray and green background sheets cut from picture framing mat purchased at an art-supply store. These mats complement pastels, and they enhance the flower color without overpowering it. Green is especially good when it is desirable to subordinate foliage to add prominence to a flower. Paint the pegboard



backing for this upright section flat black to serve two purposes. First, the openings in the pegboard let us tie black thread or fishing line to position flowers and plants. The second advantage is that pegboard hooks can be inserted in the back to raise our tinted background material. This feature tames even tall vandas and dendrobiums.

Camera technique is conventional when using this aid. We usually photograph outside because natural light seems best for true color rendition. Pin up an old blanket or spread around the shooting site for wind control, if necessary. Our results seem best when we use a modest telephoto lens extended as close to the flower as possible. With the background under control, we are free to use higher *f*-stops to obtain good detail and depth of field without distractions behind the flower.

When not in use, the photo aid can be folded compactly for storage.

## ***The Orchid Enthusiast***

The CNYOS Newsletter, is a publication of the Central New York Orchid Society and is distributed to the Society's members ten times per year, prior to all club meetings, events and functions.

Eva Galson, Editor  
236 Lockwood Rd  
Syracuse, NY, 13214  
(315) 446-0224

egalson@twcny.rr.com

CNYOS website: <http://www.cnyos.org>

## **Central New York Orchid Society**

**President(s):**

**Monica Kot 315/699-3947**

**John Bradley 315/458-8372**

**V. President(s):**

**Charles Ufford 315/768-7466**

**Dolores Capella 315/469-8697**

**Treasurer:**

**Carol Haskell 315/468-0811**

**Secretary: Pat Cotter**

**,The Central NY Orchid Society meets  
at St. Augustine's Church 7333 O'Brien Rd.,  
Baldwinsville on the first Sunday of each month at  
2:00 pm, with beginner's session at 1:30 pm, right  
before most regular meetings.**

**The Central New York Orchid Society  
Your local AOS and Orchid Digest Affiliate  
236 Lockwood Road,  
Syracuse, NY 13214**

***May Issue – Orchid Enthusiast***

***Meeting Sunday , May 4 at 2 PM, but come 1:00 – 1:30***

***Orchid Auction***